

The ibidi product family is comprised of a variety of μ-Slides, μ-Dishes, and μ-Plates which have all been designed for high-end microscopic analysis of fixed or living cells. The high optical quality of the material is similar to that of glass, so you can perform all kinds of fluorescence experiments with uncompromised resolution and choice of wavelength.

The μ-Plate 96 Well Black allows you to perform high resolution microscopy in a standard multi-well format. For less well-to-well crosstalk in fluorescence microscopy this imaging plate is made out of a black polymer material.

## Material

ibidi μ-Slides, μ-Dishes, and μ-Plates are made of a polymer that has the highest optical quality. The polymer coverslip on the bottom exhibits extremely low birefringence and autofluorescence, similar to that of glass. Also, it is not possible to detach the bottom from the upper part. The μ-Slides, μ-Dishes, and μ-Plates are intended for one-time use and are not autoclavable, since they are only temperature-stable up to 80°C/175°F. Please note that gas exchange between the medium and the incubator's atmosphere occurs partially through the polymer coverslip, which should not be covered.

### Optical Properties ibidi Polymer Coverslip

Refractive index $n_D$ (589 nm)	1.52
Abbe number	56
Thickness	No. 1.5 (180 μm)
Material	Polymer coverslip

**Please note! The ibidi Polymer Coverslip is compatible with certain types of immersion oil only. A list of suitable oils can be found on page 3.**

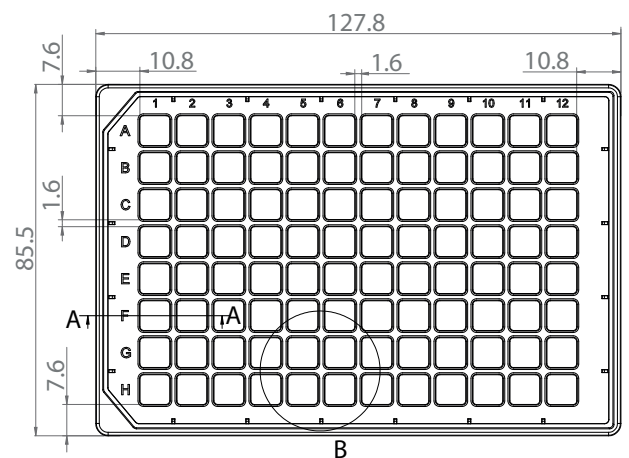
## Shipping and Storage

The μ-Slides, μ-Dishes and μ-Plates are sterilized and welded in a gas-permeable packaging. The shelf life under proper storage conditions (in a dry place, no direct sunlight) is listed in the following table.

Conditions	
Shipping conditions	Ambient
Storage conditions	RT (15–25°C)
Shelf Life	
ibiTreat, Uncoated	36 months

## Geometry

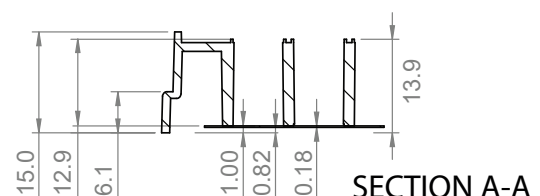
The μ-Plate 96 Well Black provides standard geometry and numbering (A-H, 1-12).

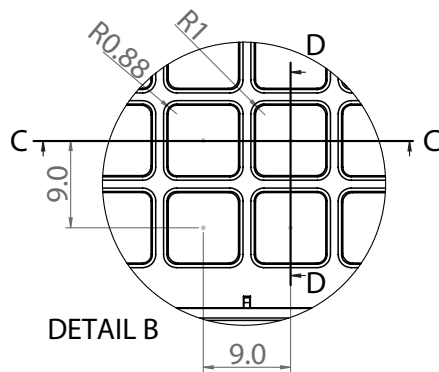


The μ-Plate 96 Well Black meets all important values of the ANSI/SLAS (SBS) Standards (1-2004, 2-2004, 3-2004 and 4-2004).

### Dimensions of the μ-Plate 96 Well Black in mm

Length	127.8	± 0.2
Width	85.5	± 0.2
Height with lid	17.2	± 0.4
Height without lid	15.0	± 0.4
Well to well distance	9.0	± 0.1
Well clearance	0.82	± 0.1
Focal offset	1.0	± 0.1





### Surface

The μ-Plate 96 Well Black is available with ibiTreat and uncoated surface. The ibiTreat surface is a physical treatment and optimized for adhesion of most cell types. Many cell lines as well as primary cells were tested.

A specific coating of the μ-Plate 96 Well Black can be done yourself following the procedure in the section Coating Your μ-Plate 96 Well Black.

### Coating Your μ-Plate 96 Well Black

The hydrophobic, uncoated version of the μ-Plate 96 Well Black must be coated to promote cell adhesion. If you like to establish a certain coating for your demands, we recommend testing your coating procedure on Uncoated and ibiTreat surface of the μ-Plate 96 Well Black, since we have observed that some biomolecules adhere differently to hydrophobic or hydrophilic plastic surfaces.

- Prepare your coating solution according to the manufacturer’s specifications or reference.
- Apply 300 μl in each well. The coating area using 300 μl is 2.35 cm<sup>2</sup>.
- Follow your coating protocol.

Further information about coatings is provided in [Application Note 08 “Cell culture coating”](#).

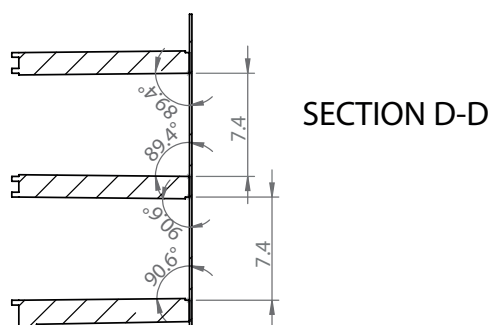
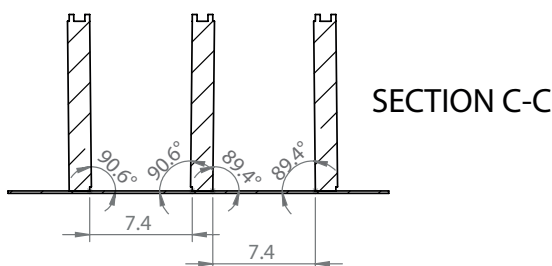
#### Single Well Parameters

Single well dimensions	7.4 × 7.4 ± 0.15 mm
Single well depth	12.9 ± 0.2 mm
Volume	300 μl
Growth area	0.56 cm <sup>2</sup>
Coating area using 300 μl	2.35 cm <sup>2</sup>

#### Accuracy of the Bottom

Inner well flatness	± 5 μm
Whole plate flatness	± 25 μm
Bottom	ibidi Polymer Coverslip

For manufacturing process reasons, the well wall angles differ slightly. The details are shown in the graphics below.



### Seeding Cells

- Trypsinize and count cells as usual. Dilute the cell suspension to the desired concentration. Depending on your cell type, application of a 2-5 × 10<sup>4</sup> cells/ml suspension should result in a confluent layer within 2-3 days.
- Apply 300 μl cell suspension into each single well. Avoid shaking, as this will result in inhomogeneous distribution of the cells.
- Cover the μ-Plate 96 Well Black with the supplied lid. Incubate at 37°C and 5% CO<sub>2</sub> as usual.

Undemanding cells can be left in their seeding medium for several days and grow to confluence there. However, best results might be achieved when the medium is changed every 2-3 days. Carefully aspirate the old medium and replace it by 300 μl fresh medium.

**Tip:**

You can stack the μ-Plates to save space in your incubator. This will not affect cell growth. We recommend making batches with not more than 6 plates, due to stability reasons.

**Microscopy**

To analyze your cells, no special preparations are necessary. Cells can be directly observed live or fixed, preferably on an inverted microscope. The bottom cannot be removed. For optimal results in fluorescence microscopy and storage of fixed and stained samples, ibidi provides mounting media (50001 and 50011) optimized for μ-Dishes, μ-Slides, and μ-Plates.

**Chemical Compatibility**

The following table provides some basic information on the chemical and solvent compatibility of the μ-Plate 96 Well Black. For a full list of compatible solvents and more information on chemical compatibility, please visit the FAQ section on [ibidi.com](http://ibidi.com).

Chemical / Solvent	Compatibility
Methanol	yes
Ethanol	yes
Formaldehyde	yes
Acetone	yes, without lid
Mineral oil	no
Silicone oil	yes
Immersion oil	See <b>Immersion Oil</b> on page 3.

**Immersion Oil**

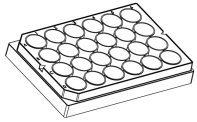
When using oil immersion objectives with the ibidi Polymer Coverslip, use only the immersion oils specified in the table below. The use of any non-recommended oil could damage the ibidi Polymer Coverslip. The resulting leakage may harm objectives and microscope components. All immersion oils that are not listed in the table below should be considered as non-compatible.

Company	Product	Ordering No.	Lot Number	Test Date
ibidi	ibidi Immersion Oil	50101	16-12-27	01/2017
Cargille	Type A	16482	100592	01/2017
Cargille	Type HF	16245	92192	01/2017
Carl Roth	Immersion oil	X899.1	414220338	01/2017
Leica	Immersion Liquid	11513859	n.a.	03/2011
Nikon	Immersion Oil F2 30cc	MXA22192	n.a.	01/2020
Nikon	Silicone Immersion Oil 30cc	MXA22179	20191101	01/2020
Olympus	Silicone Immersion Oil	SIL300CS-30CC	N4190800	01/2017
Zeiss	Immersion Oil 518 F	444960	160706	01/2017
Zeiss	Immersion Oil W 2010	444969	101122	04/2012

**Ordering Information**

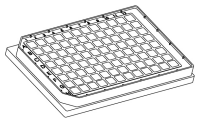
The ibidi μ-Plates are available in the following product versions.

**μ-Plate 24 Well Black**



Cat. No.	Description
82406	<b>μ-Plate 24 Well Black ibiTreat:</b> #1.5 polymer coverslip, tissue culture treated, sterilized
82401	<b>μ-Plate 24 Well Black Uncoated:</b> #1.5 polymer coverslip, hydrophobic, sterilized

**μ-Plate 96 Well Black**



Cat. No.	Description
89626	<b>μ-Plate 96 Well Black ibiTreat:</b> #1.5 polymer coverslip, tissue culture treated, sterilized
89621	<b>μ-Plate 96 Well Black Uncoated:</b> #1.5 polymer coverslip, hydrophobic, sterilized

**For research use only!**

Further information can be found at [ibidi.com](http://ibidi.com). For questions and suggestions please contact us by e-mail [info@ibidi.de](mailto:info@ibidi.de) or by telephone +49 (0)89/520 4617 0.

© ibidi GmbH, Lochhamer Schlag 11, 82166 Gräfelfing, Germany.